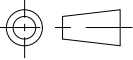
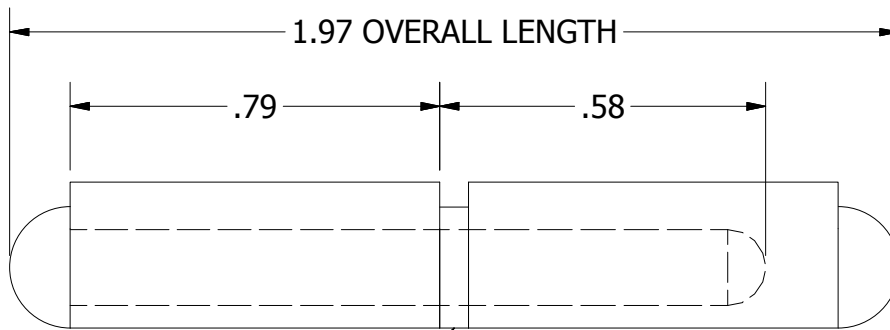
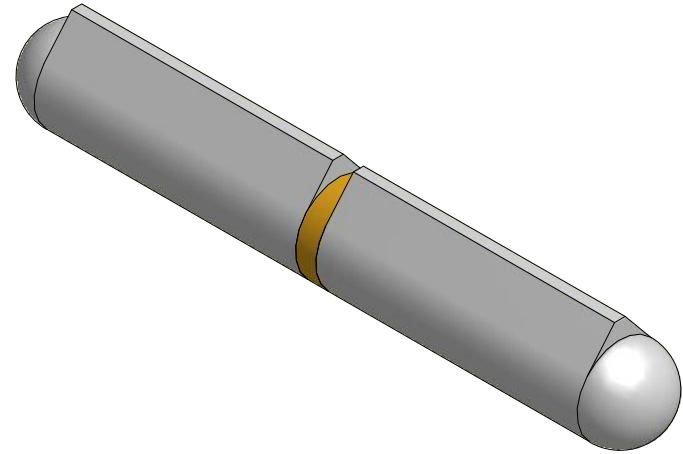


**A**  
SIZE

THIRD ANGLE



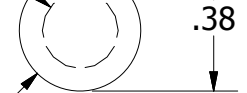
PROJECTION



BRASS BUSHING

Ø.197 PIN  
DIAMETER

Ø.315



PART NUMBER: <b>FBP-050</b>		SCALE: NTS
LEAF MATERIAL: <b>STEEL</b>	PIN MATERIAL: <b>BRASS</b>	FINISH: <b>MILL</b>
MARLBORO STANDARD TOLERANCES UNLESS OTHERWISE SPECIFIED (ALL TOLERANCES ARE NON-CUMULATIVE)		
.X ± .060	.XXX ± .015	FRACTIONAL: 1/16
.XX ± .030	.XXXX ± .005	ANGULAR: 1°

**Marlboro**  
MANUFACTURING INC.

11750 Marlboro Avenue, NE  
Alliance, Ohio 44601  
www.marlbороhinge.com  
sales@marlbороhinge.com  
Phone 330-935-2445  
Fax 330-935-2748