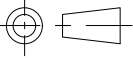
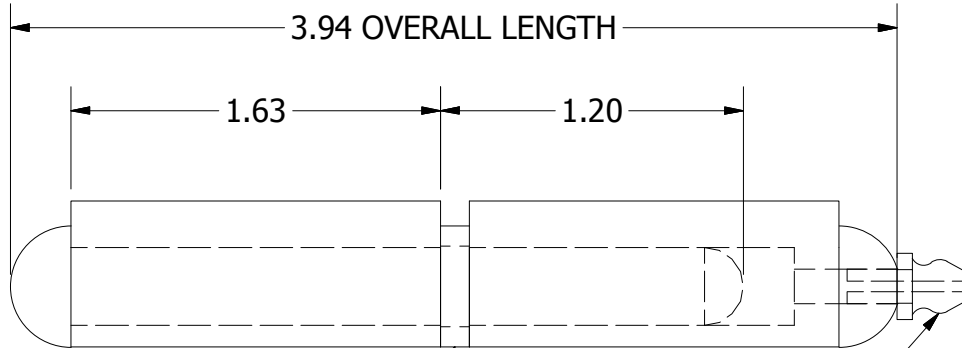
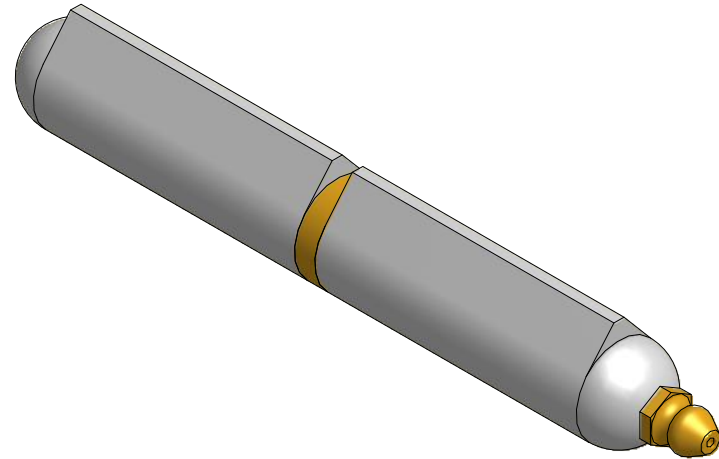


A
SIZE

THIRD ANGLE



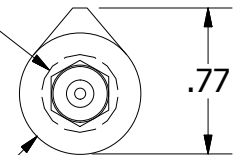
PROJECTION



BRASS BUSHING

BRASS GREASE FITTING

Ø.394 PIN
DIAMETER



Ø.630

PART NUMBER: FBP-100G/F		SCALE: NTS
LEAF MATERIAL: STEEL	PIN MATERIAL: BRASS	FINISH: MILL
MARBORO STANDARD TOLERANCES UNLESS OTHERWISE SPECIFIED (ALL TOLERANCES ARE NON-CUMULATIVE)		
.X ± .060	.XXX ± .015	FRACTIONAL: 1/16
.XX ± .030	.XXXX ± .005	ANGULAR: 1°



11750 Marlboro Avenue, NE
Alliance, Ohio 44601
www.marlbороhinge.com
sales@marlbороhinge.com
Phone 330-935-2445
Fax 330-935-2748