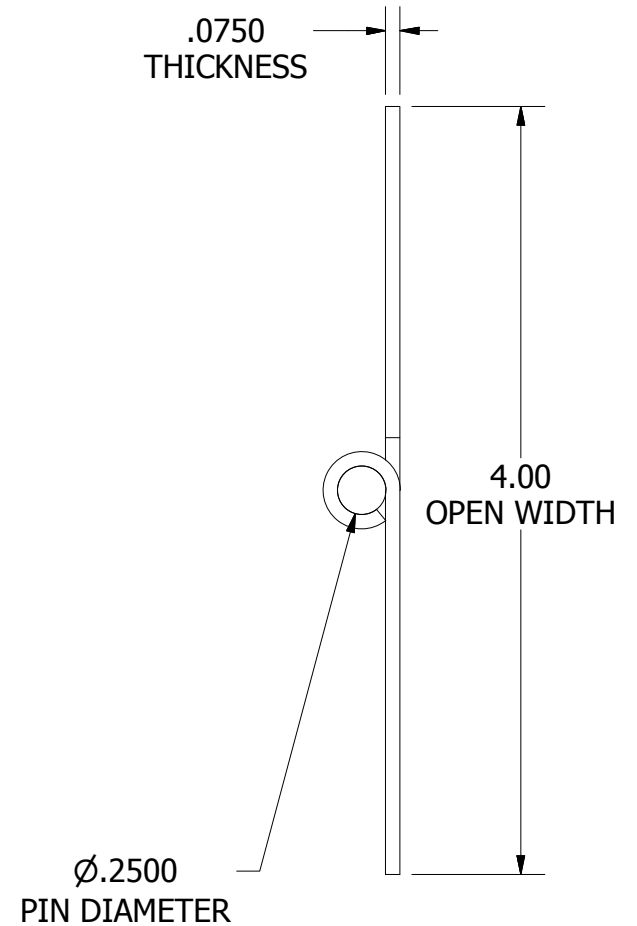
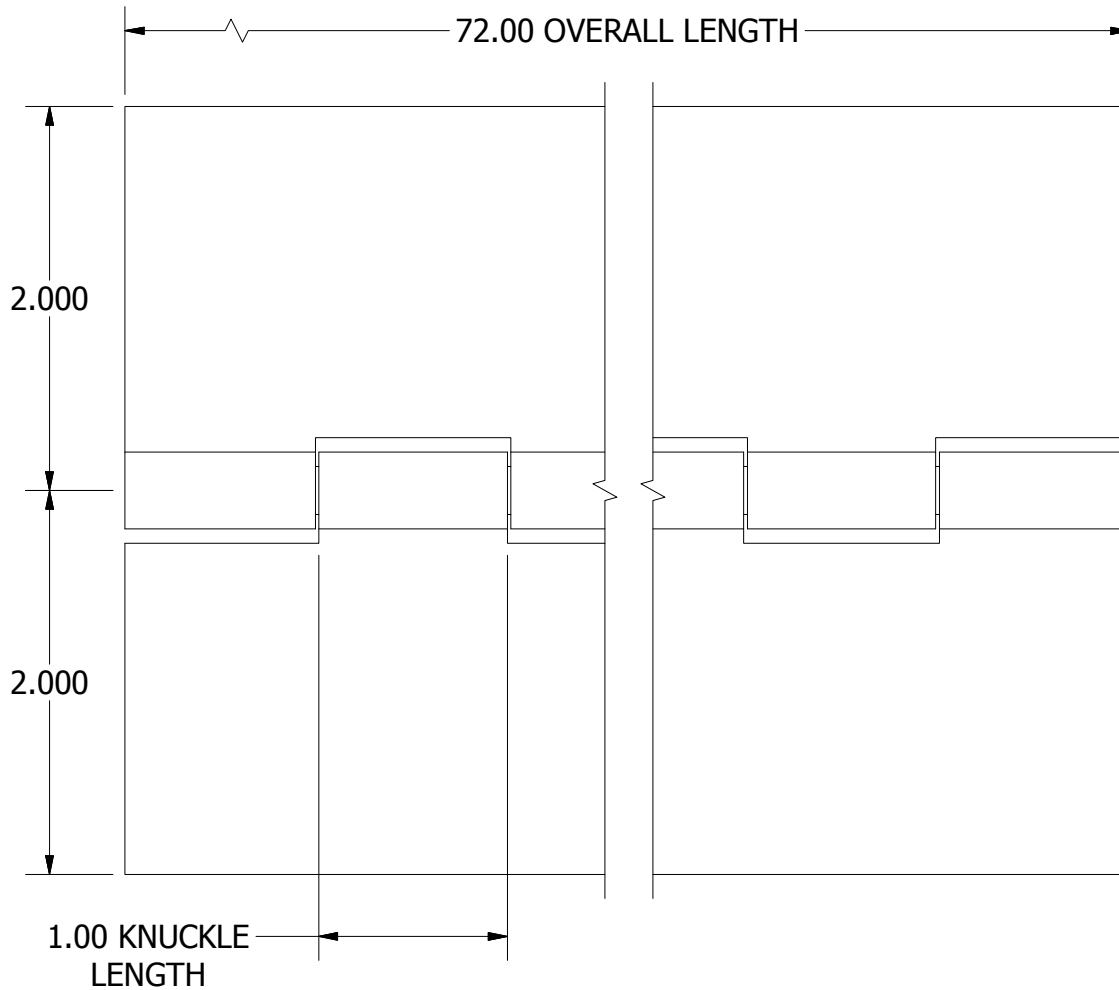


**A**  
SIZE

THIRD ANGLE



PROJECTION



**NOTES:**

- 1.) HINGE DRAWN KNUCKLE UP.
- 2.) ALL HINGES ARE COMMERCIAL DIE CUT QUALITY.
- 3.) RANGE OF MOTION IS APPROXIMATELY 270°.
- 4.) DIMENSIONS AND TOLERANCES APPLY TO PART PRIOR TO ANY FINISH APPLICATION.

|   |  |                      |
|---|--|----------------------|
| PART NUMBER:<br><b>SS07606472</b>   |  | SCALE:<br><b>1:1</b> |
| LEAF MATERIAL:<br>TYPE 304<br>STAINLESS STEEL   | PIN MATERIAL:<br>TYPE 304<br>STAINLESS STEEL | FINISH:<br><b>2B</b> |
| MARLBORO STANDARD TOLERANCES<br>UNLESS OTHERWISE SPECIFIED<br>(ALL TOLERANCES ARE NON-CUMULATIVE) |  |                      |
| .X ± .060   | .XXX ± .015                                  | FRACTIONAL: 1/16     |
| .XX ± .030  | .XXXX ± .005                                 | ANGULAR: 1°          |



11750 Marlboro Avenue, NE  
Alliance, Ohio 44601  
www.marlbороhinge.com  
sales@marlbороhinge.com  
Phone 330-935-2445  
Fax 330-935-2748