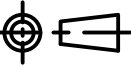
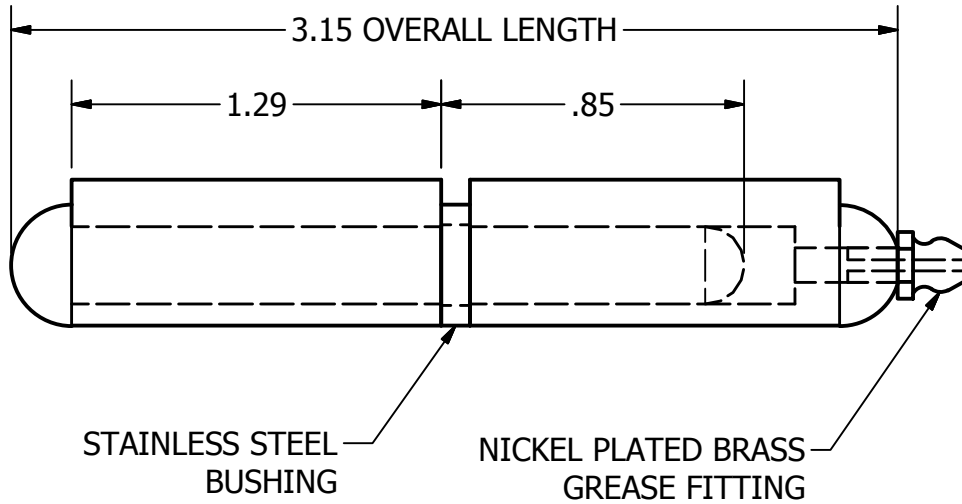
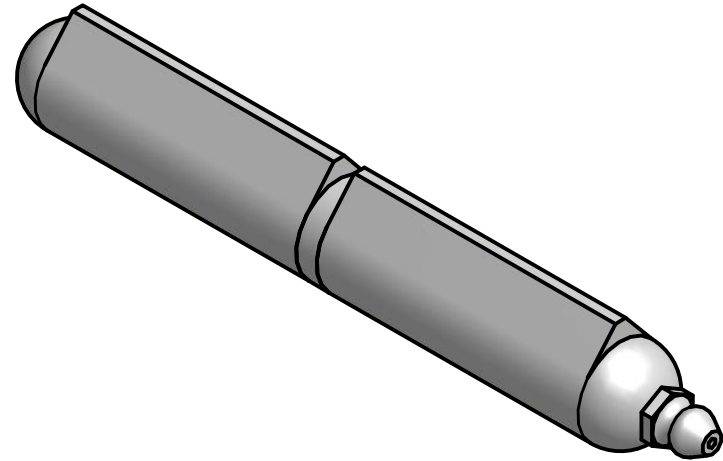


**A**  
SIZE

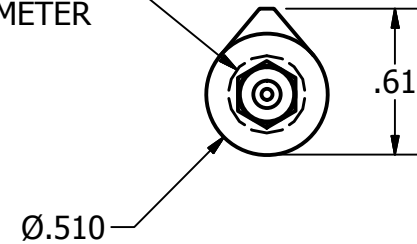
THIRD ANGLE



PROJECTION



Ø.315 PIN  
DIAMETER



PART NUMBER: <b>AFSSP-080BRG/F</b>		SCALE: NTS
LEAF MATERIAL: <b>ALUMINUM</b>	PIN MATERIAL: TYPE 302/304 STAINLESS STEEL	FINISH: <b>MILL</b>
MARBORO STANDARD TOLERANCES UNLESS OTHERWISE SPECIFIED (ALL TOLERANCES ARE NON-CUMULATIVE)		
.X ± .060	.XXX ± .015	FRACTIONAL: 1/16
.XX ± .030	.XXXX ± .005	ANGULAR: 1°



11750 Marlboro Avenue, NE  
Alliance, Ohio 44601  
www.marlborohinge.com  
sales@marlborohinge.com  
Phone 330-935-2445  
Fax 330-935-2748