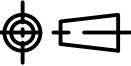
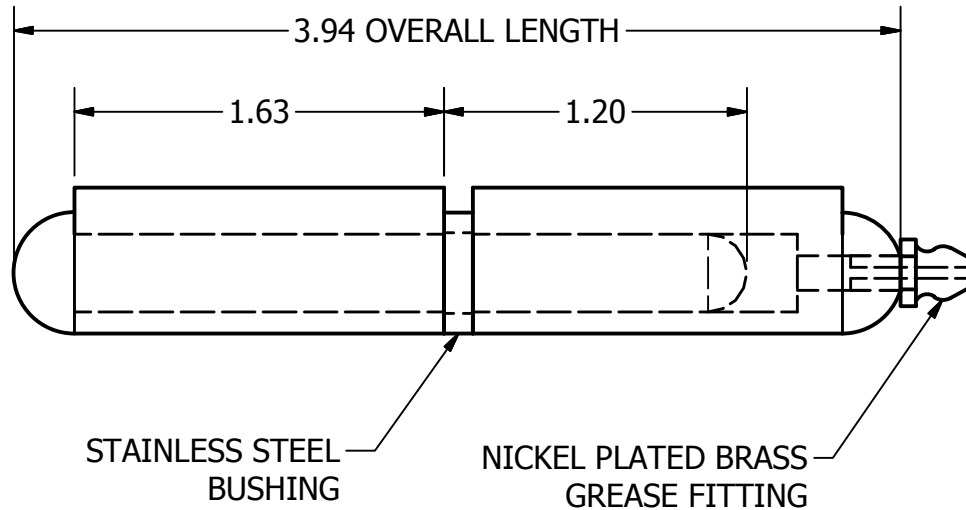
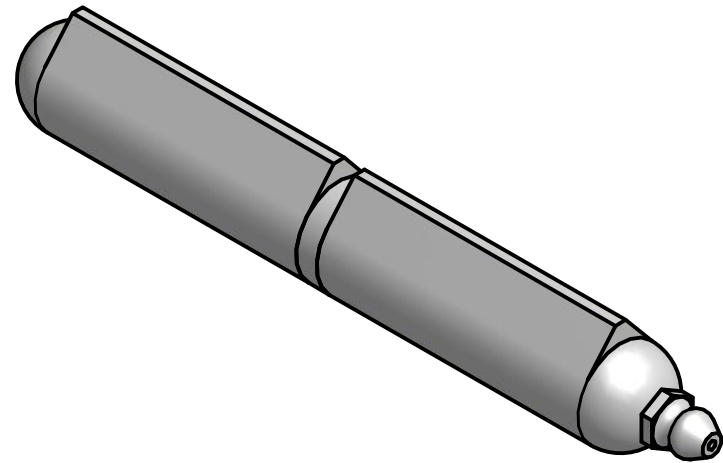


A
SIZE

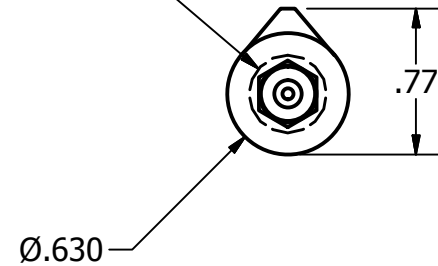
THIRD ANGLE



PROJECTION



Ø.394 PIN DIAMETER



PART NUMBER: AFSSP-100BRG/F		SCALE: NTS
LEAF MATERIAL: ALUMINUM	PIN MATERIAL: TYPE 302/304 STAINLESS STEEL	FINISH: MILL
MARBORO STANDARD TOLERANCES UNLESS OTHERWISE SPECIFIED (ALL TOLERANCES ARE NON-CUMULATIVE)		
.X ± .060	.XXX ± .015	FRACTIONAL: 1/16
.XX ± .030	.XXXX ± .005	ANGULAR: 1°



11750 Marlboro Avenue, NE
Alliance, Ohio 44601
www.marlbороhinge.com
sales@marlbороhinge.com
Phone 330-935-2445
Fax 330-935-2748