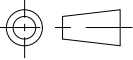
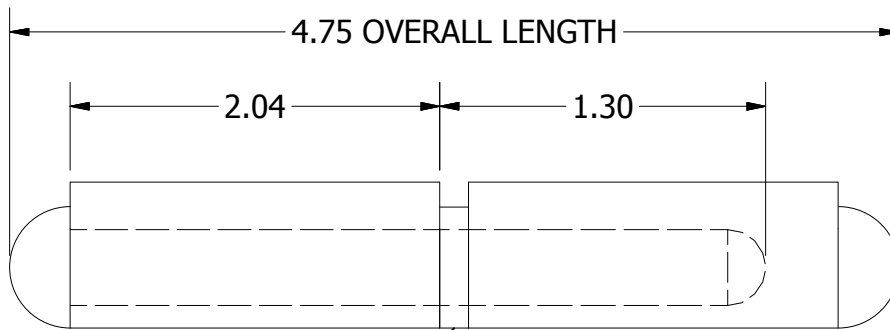
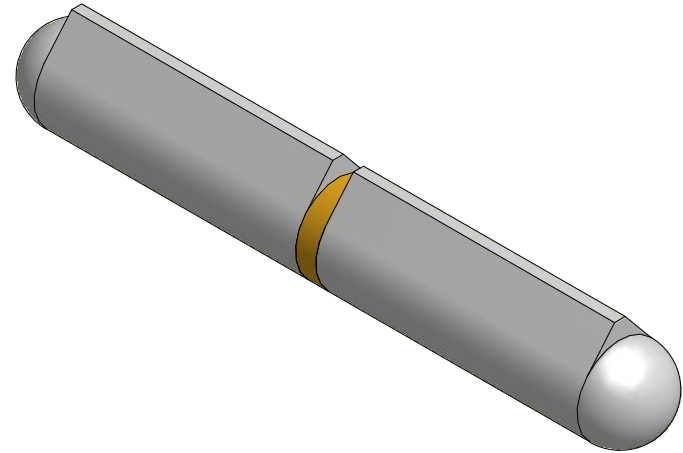


**A**  
SIZE

THIRD ANGLE



PROJECTION



BRASS BUSHING

Ø.394 PIN  
DIAMETER

Ø.630

.76

PART NUMBER:

**FSP-120**

SCALE:

NTS

LEAF MATERIAL:

STEEL

PIN MATERIAL:

STEEL

FINISH:

MILL

MARLBORO STANDARD TOLERANCES  
UNLESS OTHERWISE SPECIFIED  
(ALL TOLERANCES ARE NON-CUMULATIVE)

.X ± .060 .XXX ± .015 FRACTIONAL: 1/16

.XX ± .030 .XXXX ± .005 ANGULAR: 1°

**Marlboro**  
MANUFACTURING INC.

11750 Marlboro Avenue, NE  
Alliance, Ohio 44601  
www.marlbороhinge.com  
sales@marlbороhinge.com  
Phone 330-935-2445  
Fax 330-935-2748