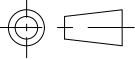
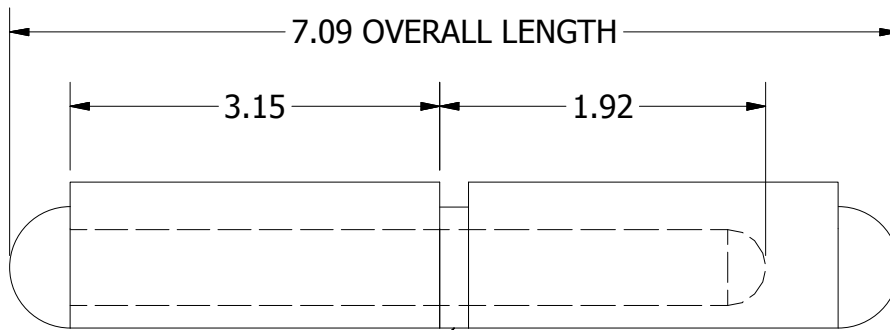
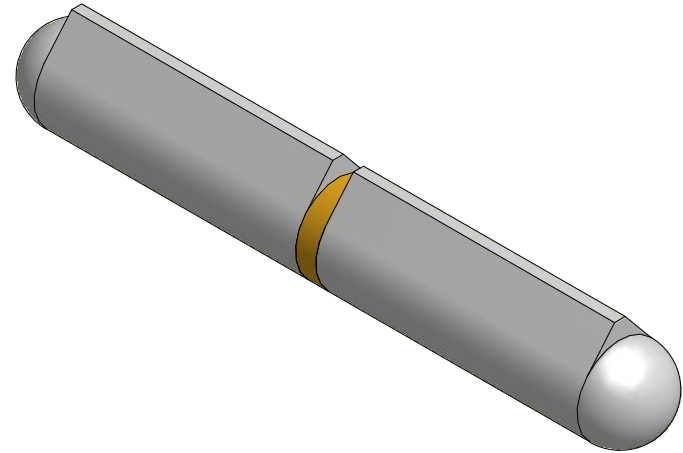


A
SIZE

THIRD ANGLE

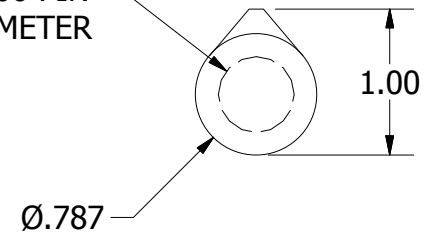


PROJECTION



BRASS BUSHING

Ø.500 PIN
DIAMETER



PART NUMBER: FSP-180		SCALE: NTS
LEAF MATERIAL: STEEL	PIN MATERIAL: STEEL	FINISH: MILL
MARLBORO STANDARD TOLERANCES UNLESS OTHERWISE SPECIFIED (ALL TOLERANCES ARE NON-CUMULATIVE)		
.X ± .060	.XXX ± .015	FRACTIONAL: 1/16
.XX ± .030	.XXXX ± .005	ANGULAR: 1°



11750 Marlboro Avenue, NE
 Alliance, Ohio 44601
www.marlbороhinge.com
sales@marlbороhinge.com
 Phone 330-935-2445
 Fax 330-935-2748