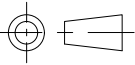
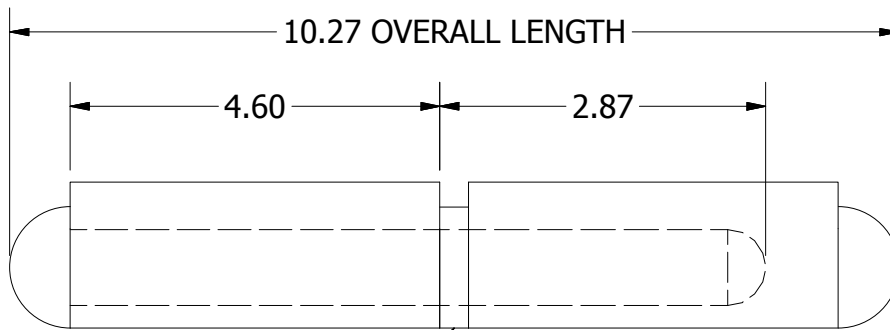
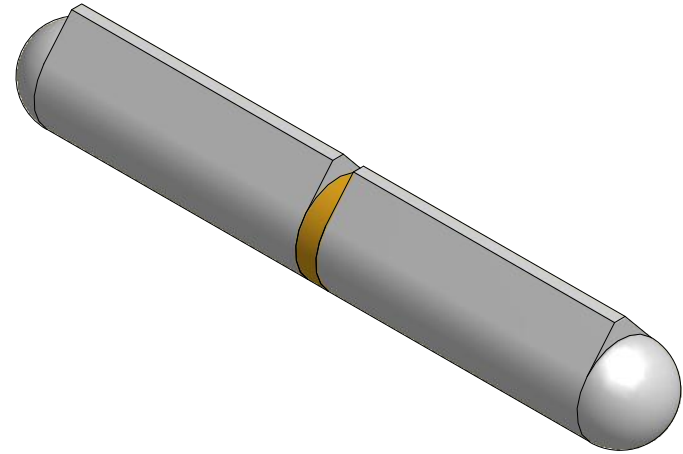


A
SIZE

THIRD ANGLE

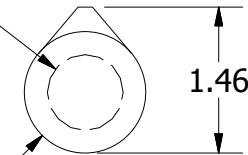


PROJECTION



BRASS BUSHING

Ø.750 PIN
DIAMETER



Ø1.102

PART NUMBER: FSP-260		SCALE: NTS
LEAF MATERIAL: STEEL	PIN MATERIAL: STEEL	FINISH: MILL
MARBORO STANDARD TOLERANCES UNLESS OTHERWISE SPECIFIED (ALL TOLERANCES ARE NON-CUMULATIVE)		
.X ± .060	.XXX ± .015	FRACTIONAL: 1/16
.XX ± .030	.XXXX ± .005	ANGULAR: 1°

Marlboro
MANUFACTURING INC.

11750 Marlboro Avenue, NE
Alliance, Ohio 44601
www.marlbороhinge.com
sales@marlbороhinge.com
Phone 330-935-2445
Fax 330-935-2748