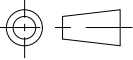
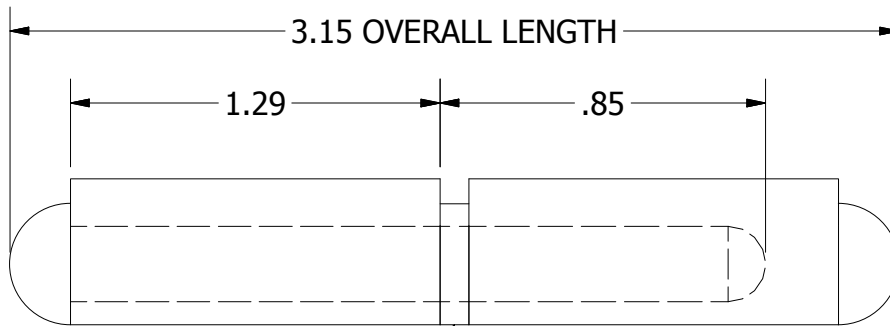
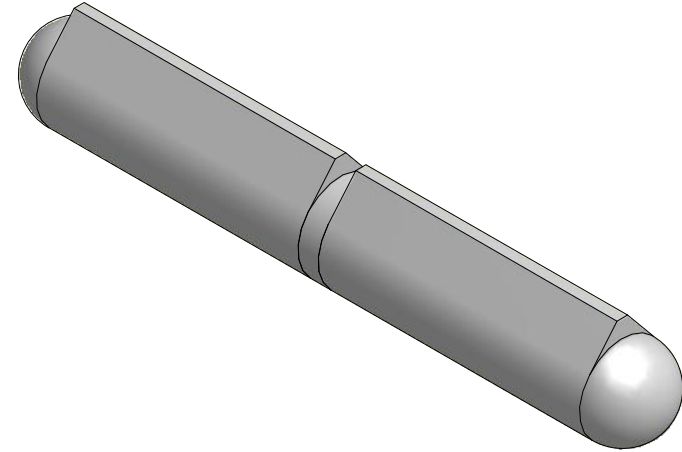


A
SIZE

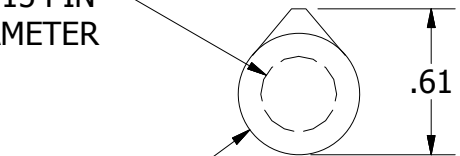
THIRD ANGLE



PROJECTION



Ø.315 PIN
DIAMETER



Ø.510

STAINLESS STEEL BUSHING

PART NUMBER: FSS-080		SCALE: NTS
LEAF MATERIAL: TYPE 302/304 STAINLESS STEEL	PIN MATERIAL: TYPE 302/304 STAINLESS STEEL	FINISH: 2B
MARLBORO STANDARD TOLERANCES UNLESS OTHERWISE SPECIFIED (ALL TOLERANCES ARE NON-CUMULATIVE)		
.X ± .060	.XXX ± .015	FRACTIONAL: 1/16
.XX ± .030	.XXXX ± .005	ANGULAR: 1°



11750 Marlboro Avenue, NE
Alliance, Ohio 44601
www.marlbороhinge.com
sales@marlbороhinge.com
Phone 330-935-2445
Fax 330-935-2748