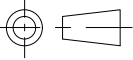
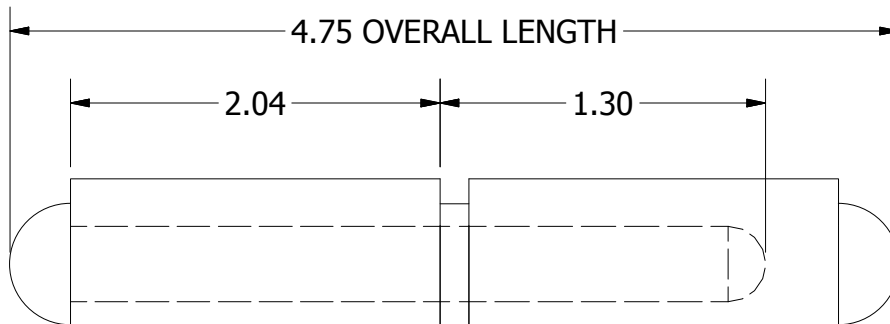
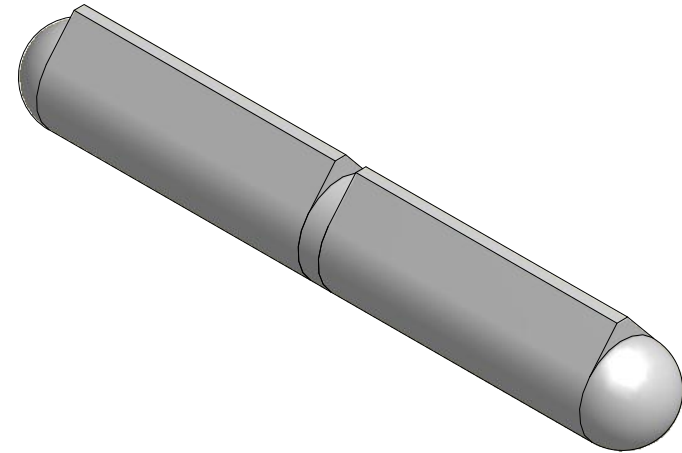


A
SIZE

THIRD ANGLE



PROJECTION



Ø.394 PIN
DIAMETER

Ø.630

.76

STAINLESS STEEL BUSHING

PART NUMBER: FSS-120		SCALE: NTS
LEAF MATERIAL: TYPE 302/304 STAINLESS STEEL	PIN MATERIAL: TYPE 302/304 STAINLESS STEEL	FINISH: 2B
MARLBORO STANDARD TOLERANCES UNLESS OTHERWISE SPECIFIED (ALL TOLERANCES ARE NON-CUMULATIVE)		
.X ± .060	.XXX ± .015	FRACTIONAL: 1/16
.XX ± .030	.XXXX ± .005	ANGULAR: 1°

Marlboro
MANUFACTURING INC.

11750 Marlboro Avenue, NE
Alliance, Ohio 44601
www.marlborohinge.com
sales@marlborohinge.com
Phone 330-935-2445
Fax 330-935-2748