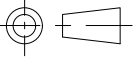
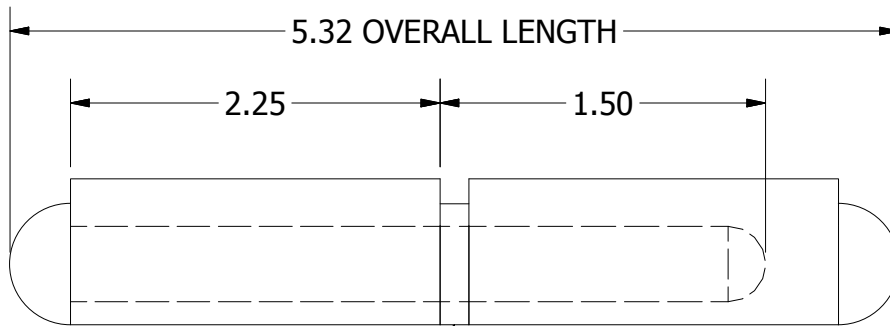
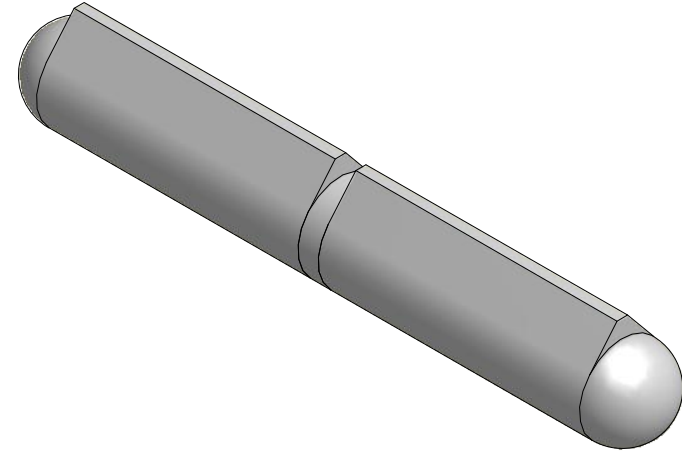


A
SIZE

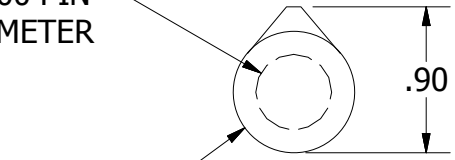
THIRD ANGLE



PROJECTION



Ø.500 PIN
DIAMETER



Ø.709

STAINLESS STEEL BUSHING

| | | |
|---------------------------------------------------------------------------------------------------|--------------------------------------------------|------------------|
| PART NUMBER: FSS-135 | | SCALE: NTS |
| LEAF MATERIAL: TYPE 302/304 STAINLESS STEEL | PIN MATERIAL: TYPE 302/304 STAINLESS STEEL | FINISH: 2B |
| MARLBORO STANDARD TOLERANCES UNLESS OTHERWISE SPECIFIED (ALL TOLERANCES ARE NON-CUMULATIVE) | | |
| .X ± .060 | .XXX ± .015 | FRACTIONAL: 1/16 |
| .XX ± .030 | .XXXX ± .005 | ANGULAR: 1° |



11750 Marlboro Avenue, NE
Alliance, Ohio 44601
www.marlbороhinge.com
sales@marlbороhinge.com
Phone 330-935-2445
Fax 330-935-2748