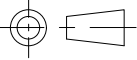
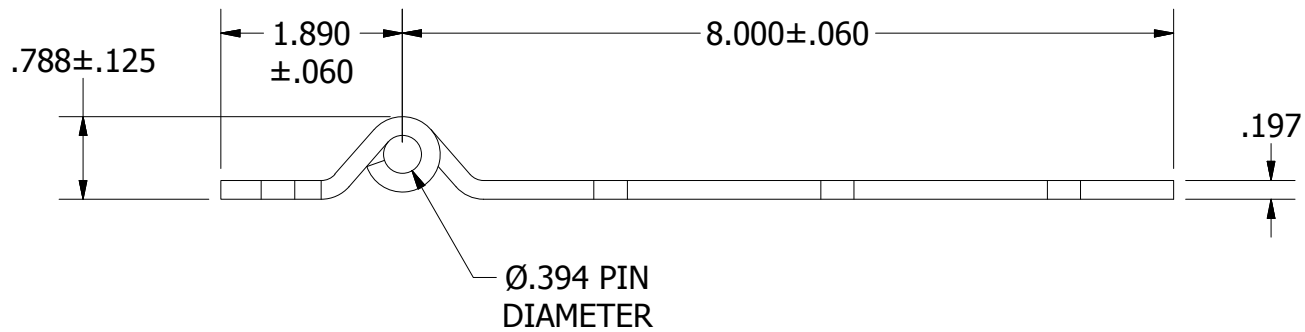
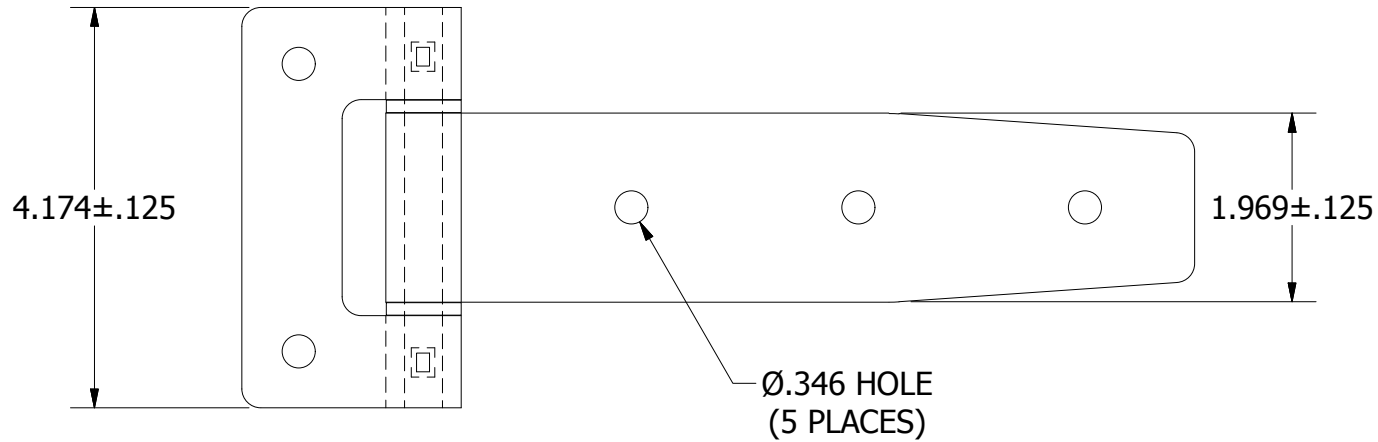


A
SIZE

THIRD ANGLE



PROJECTION



NOTES:
DRAWN KNUCKLE DOWN.
HINGE ASSEMBLED WITH NYLON FLANGED BUSHINGS.
BOTH END KNUCKLES STAKED TO RETAIN PIN.

PART NUMBER: HTD-200SSRDH		SCALE: 1:2
LEAF MATERIAL: TYPE 304 STAINLESS STEEL	PIN MATERIAL: TYPE 304 STAINLESS STEEL	FINISH: POLISHED
MARLBORO STANDARD TOLERANCES UNLESS OTHERWISE SPECIFIED (ALL TOLERANCES ARE NON-CUMULATIVE)		
.X ± .060	.XXX ± .015	FRACTIONAL: 1/16
.XX ± .030	.XXXX ± .005	ANGULAR: 1°



11750 Marlboro Avenue, NE
Alliance, Ohio 44601
www.marlborohinge.com
sales@marlborohinge.com
Phone 330-935-2445
Fax 330-935-2748