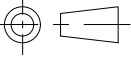
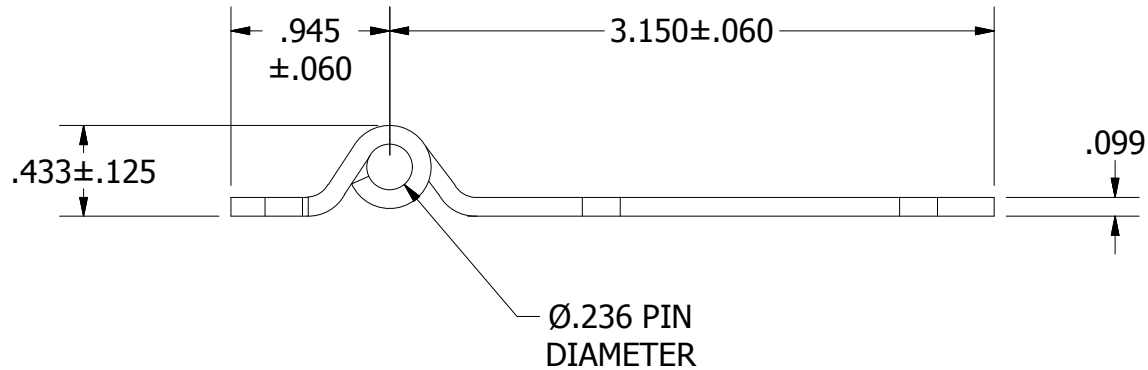
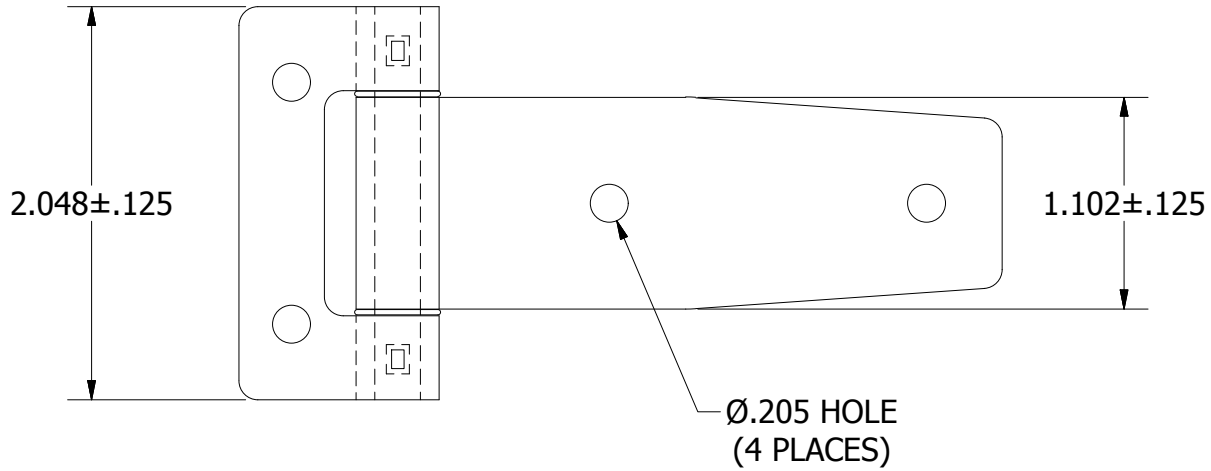


**A**  
SIZE

THIRD ANGLE



PROJECTION



PART NUMBER: <b>HTD-80SSRDH</b>		SCALE: <b>1:2</b>
LEAF MATERIAL: TYPE 304 STAINLESS STEEL	PIN MATERIAL: TYPE 304 STAINLESS STEEL	FINISH: POLISHED
MARLBORO STANDARD TOLERANCES UNLESS OTHERWISE SPECIFIED (ALL TOLERANCES ARE NON-CUMULATIVE)		
.X ± .060	.XXX ± .015	FRACTIONAL: 1/16
.XX ± .030	.XXXX ± .005	ANGULAR: 1°



11750 Marlboro Avenue, NE  
Alliance, Ohio 44601  
www.marlborohinge.com  
sales@marlborohinge.com  
Phone 330-935-2445  
Fax 330-935-2748

NOTES:  
DRAWN KNUCKLE DOWN.  
HINGE ASSEMBLED WITH NYLON FLANGED BUSHINGS.  
BOTH END KNUCKLES STAKED TO RETAIN PIN.