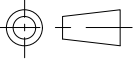
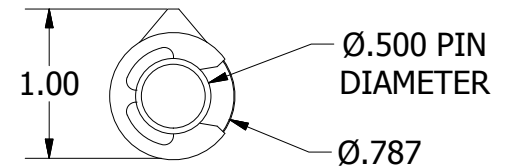
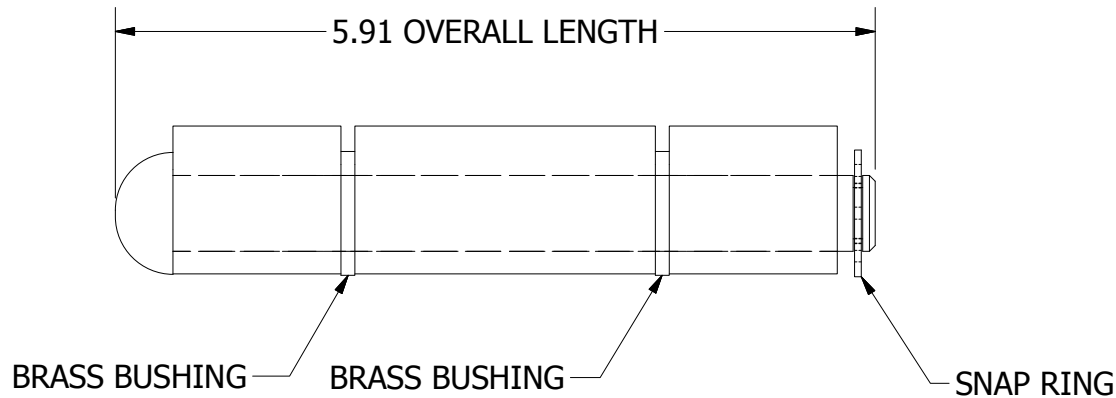
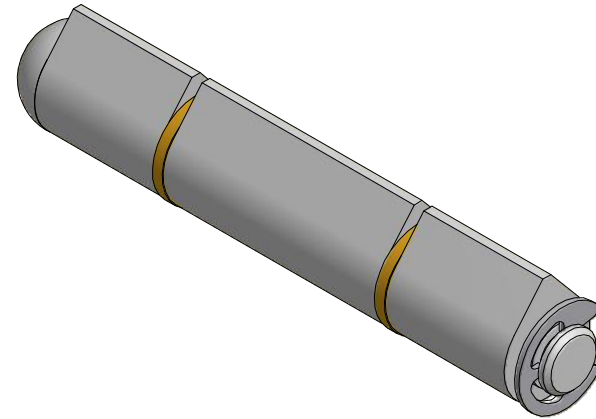


**A**  
SIZE

THIRD ANGLE



PROJECTION



|   |               |                  |
|---|---------------|------------------|
| PART NUMBER:  |               | SCALE:           |
| <b>RSP-150-3</b>  |               | NTS              |
| LEAF MATERIAL:  | PIN MATERIAL: | FINISH:          |
| STEEL   | STEEL         | MILL             |
| MARLBORO STANDARD TOLERANCES<br>UNLESS OTHERWISE SPECIFIED<br>(ALL TOLERANCES ARE NON-CUMULATIVE) |               |                  |
| .X ± .060   | .XXX ± .015   | FRACTIONAL: 1/16 |
| .XX ± .030  | .XXXX ± .005  | ANGULAR: 1°      |

**Marlboro**  
MANUFACTURING INC.

11750 Marlboro Avenue, NE  
Alliance, Ohio 44601  
www.marlborohinge.com  
sales@marlborohinge.com  
Phone 330-935-2445  
Fax 330-935-2748